

Technical data sheet



Product features

Pasta cooker 7 l without baskets

Model	SAP Code	00015018
--------------	-----------------	----------



- Basin volume [l]: 8
- Material: AISI 430
- Protection of controls: IPX4
- Maximum device temperature [°C]: 110
- Number of baskets: 0

SAP Code	00015018	Power electric [kW]	3.400
Net Width [mm]	270	Loading	230 V / 1N - 50 Hz
Net Depth [mm]	420	Basin volume [l]	8
Net Height [mm]	370	Number of baskets	0
Net Weight [kg]	8.00		

Technical data sheet



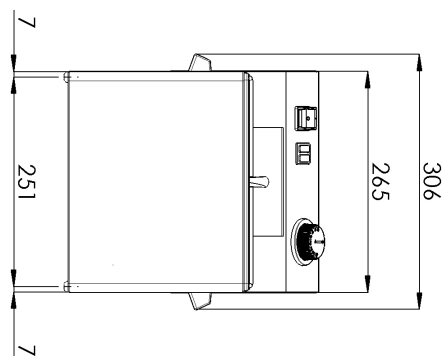
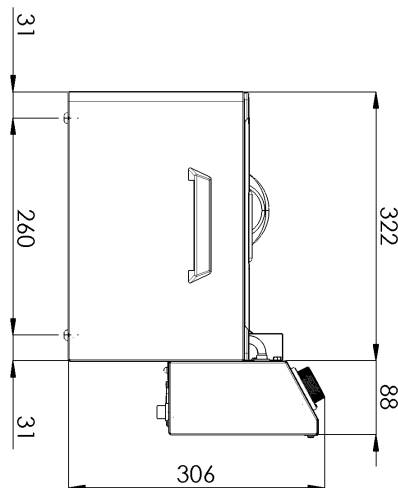
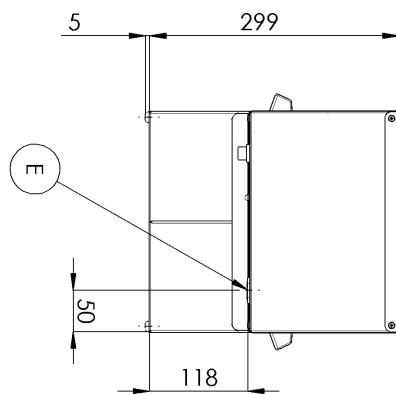
Technical drawing

Pasta cooker 7 l without baskets

Model

SAP Code

00015018



Technical data sheet



Technical parameters

Pasta cooker 7 l without baskets

Model	SAP Code	00015018
--------------	-----------------	----------

1. SAP Code:

00015018

2. Article group:

Pasta cookers

3. Net Width [mm]:

270

4. Net Depth [mm]:

420

5. Net Height [mm]:

370

6. Net Weight [kg]:

8.00

7. Gross Width [mm]:

310

8. Gross depth [mm]:

440

9. Gross Height [mm]:

515

10. Gross Weight [kg]:

9.00

11. Device type:

Electric unit

12. Construction type of device:

Table top

13. Power electric [kW]:

3.400

14. Loading:

230 V / 1N - 50 Hz

15. Protection of controls:

IPX4

16. Device color:

Stainless steel

17. Material:

AISI 430

18. Indicators:

operation and warm-up

19. Device heating type:

Direct

20. Basin volume [l]:

8

21. Device capacity [l]:

8.00

22. Maximum device temperature [°C]:

110

23. Minimum device temperature [°C]:

30

24. Safety thermostat up to x ° C:

110

25. Number of baskets:

0

26. Heating element construction:

Stainless steel casing